



matteolighting.com  
info@matteolighting.com

Toll: 1 844 628 8368  
Tel: 604 560 5136

Canada: 100-1873 Forge Place Abbotsford, BC V2T 0L2  
USA: 6875 Speedway Blvd. Ste 106 Las Vegas, NV 89115

Project: \_\_\_\_\_

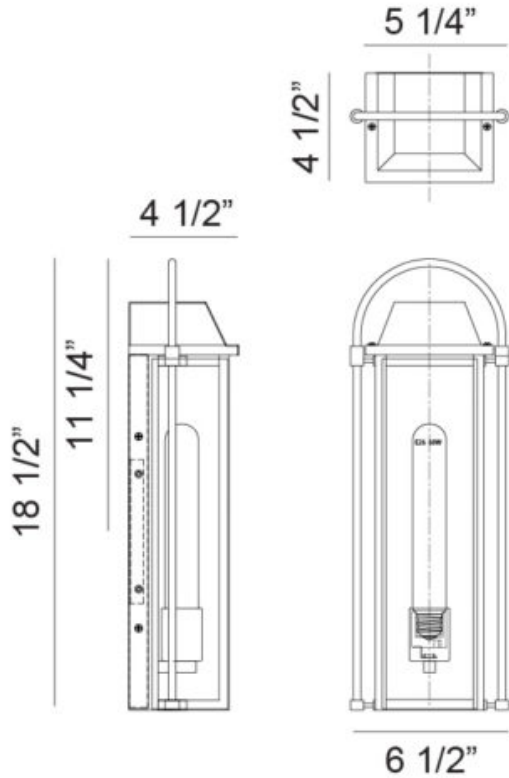
Company: \_\_\_\_\_

Location: \_\_\_\_\_ SPEC #: \_\_\_\_\_

Approved On: \_\_\_\_\_ Approved By: \_\_\_\_\_



## OUTDOOR LIGHTING



### Description

#### Dew

Classic charm meets modern durability. This outdoor wall lantern features a Matte Black iron frame paired with textured water glass, casting a warm, inviting glow that adds depth and character to entryways, patios, and porches. Its lantern-inspired silhouette and graceful top arch provide a refined, architectural presence.

\*LIGHTBULBS NOT INCLUDED

## E22001MB

### Specifications

FINISH .....	Matte Black
DIMENSION .....	6 1/2"W x 18 1/2"H x 4 1/2"E
H/CTR .....	11 1/4"
LAMPING .....	1 x 60W Medium Base-E26 120V
LOCATION .....	Wet
WARRANTY .....	1 year fixture warranty

### Notes