

START FROM HERE

- Make sure **POWER** is **COMPLETELY OFF** at the fuse box
- Have your fixture installed by a qualified licensed electrician
- Prepare everything in a clear area
- Wear gloves at all time during this installation
- Read instructions carefully before you start assembly
- Keep this installation sheet for future reference

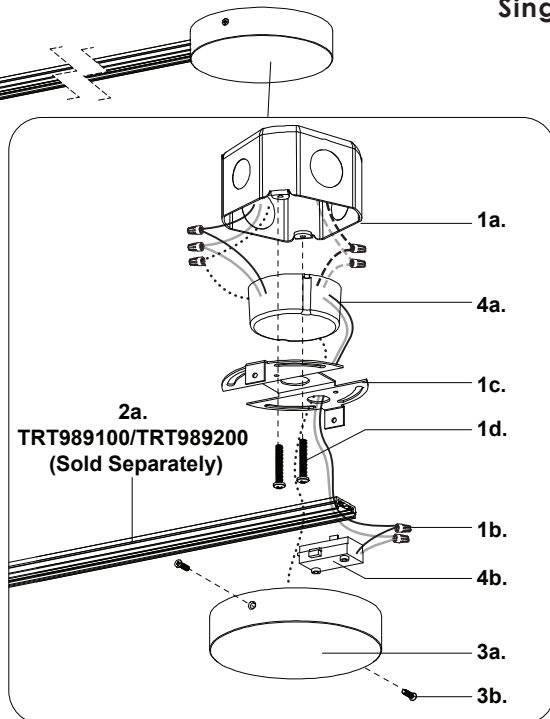
Technical Support: 1-855-855-8926

Please Note:

- To be used with max track length of 40m
- For dimming, a 0-10V type of dimmer is required
- 120-277V input

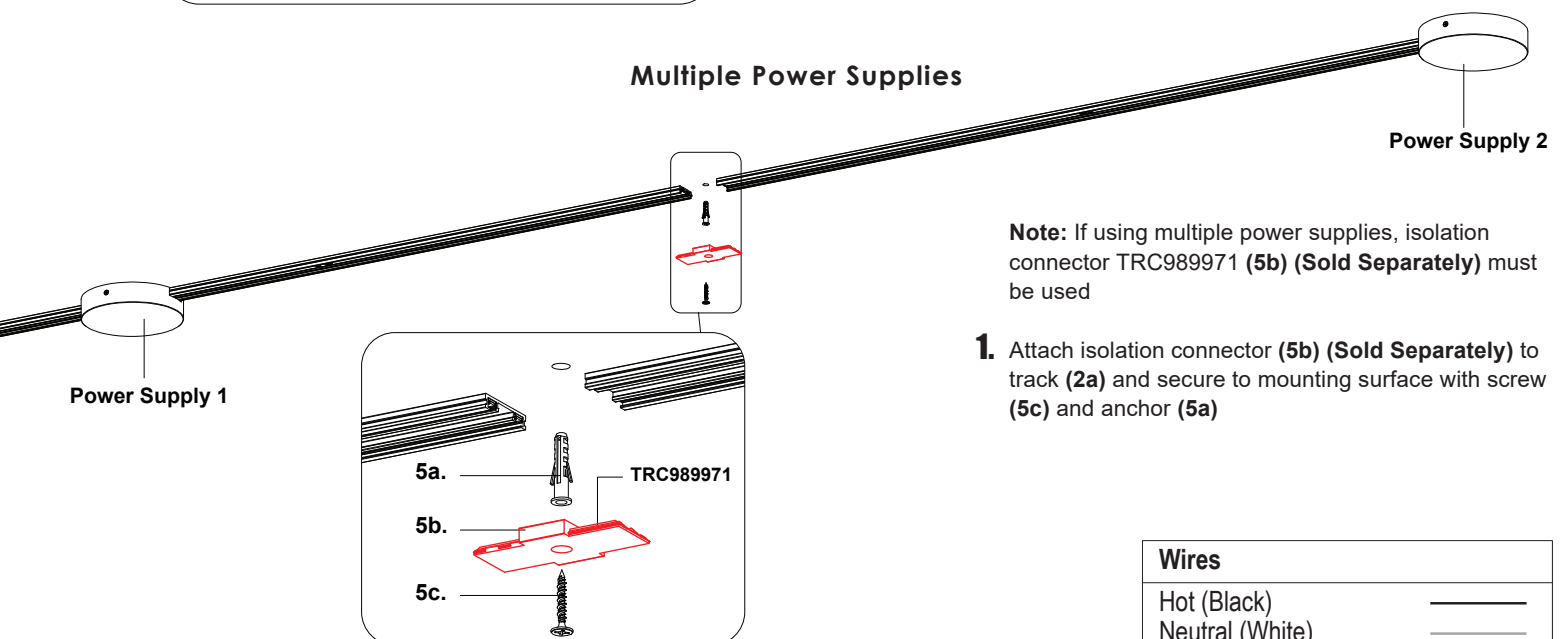
POWERING THE TRILO TRACK SYSTEM

Single Power Supply



1. Remove canopy cover (3a) from packaging
2. Separate mounting plate (1c) from canopy cover (3a) by removing screws (3b)
3. Make proper electrical connections between driver (4a) and power block (4b) (connecting the LED- Negative and LED+ Positive wires using wire nuts). Make proper electrical connections between supply and DC driver (**black to hot "L", white to neutral "N", green to "GND", Dim + to purple, Dim- to gray**) with wire nuts (1b) provided in hardware package and place driver (4a) in electrical junction box (1a)
4. Attach mounting plate (1c) to electrical junction box (1a) using junction box screws provided (1d) in hardware package
5. Attach power block (4b) to track (2a)
6. Attach canopy cover (3a) to end of track TRT989100/TRT989200 (2a) (Sold Separately) and secure to mounting plate (1c) with screws (3b)

Multiple Power Supplies



Note: If using multiple power supplies, isolation connector TRC989971 (5b) (Sold Separately) must be used

1. Attach isolation connector (5b) (Sold Separately) to track (2a) and secure to mounting surface with screw (5c) and anchor (5a)

Wires

Hot (Black)	—————
Neutral (White)	—————
Ground (Green)
Dim - (Gray):	-----
Dim + (Purple):	-----

KUZCO

19054 28th Avenue Surrey, BC Canada V3Z 6M3
 T: 604 538 7162 TF: 1-855 85 KUZCO F: 604 538 7196
 W: kuzcolighting.com
 20241127